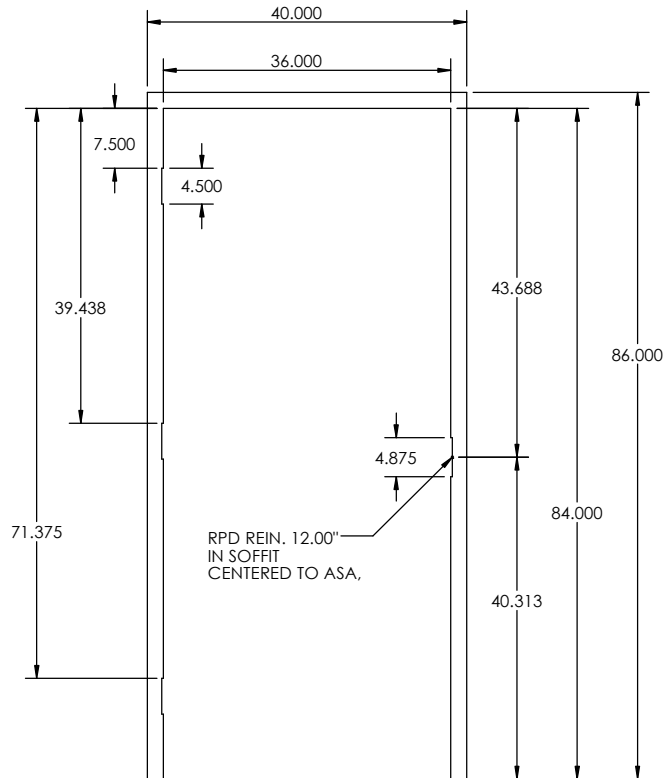
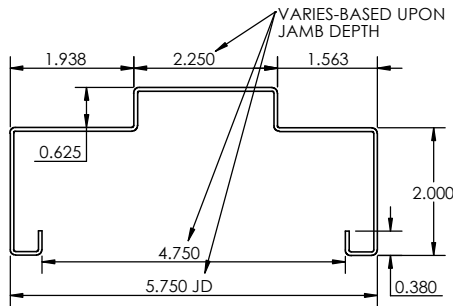


DOOR 3070 SHOWN



FRAME 3070 SHOWN



5 3/4" DRYWALL DOUBLE RABBET FRAME PROFILE SHOWN

FISO DOOR SPECIFICATIONS

FISO FOLLOWS SDI STANDARDS FOR HOLLOW METAL DOOR AND FRAME CONSTRUCTION.

FISO DOOR FOLLOWS UL FIRE RATING STANDARDS PER OUR UL FILE.

LOCATIONS SHOWN ARE FOR REFERENCE. SPECIFY ON ORDER.

DOOR CORE MATERIAL POLYSTYRENE.

DOOR BEVEL OR SQUARE STRIKE EDGE. SPECIFY ON ORDER.

NOMINAL SIZES FROM 1016 TO 40100.

20GA, 18GA, 16GA DOORS.

14GA & 16GA FRAMES.

CUSTOM & STANDARD LOCK PREPS.

16GA DOOR END CHANNELS.

CLOSER REINFORCEMENT STANDARD. (OTHER REINFORCEMENTS CAN BE SPECIFIED)

FRAME PROFILE TO BE SPECIFIED (i.e. DRYWALL, MASONRY, METAL BUILDING)

PAINT IS POWDER COAT, COLOR TO BE SPECIFIED.

FRAME TO HAVE BUTTED OR MITERED CORNERS.

FRAME TO BE KNOCK DOWN OR FACE WELDED.

ANCHORS TO BE SPECIFIED.

HINGE & STRIKE W/DUST COVERS OPTIONAL.

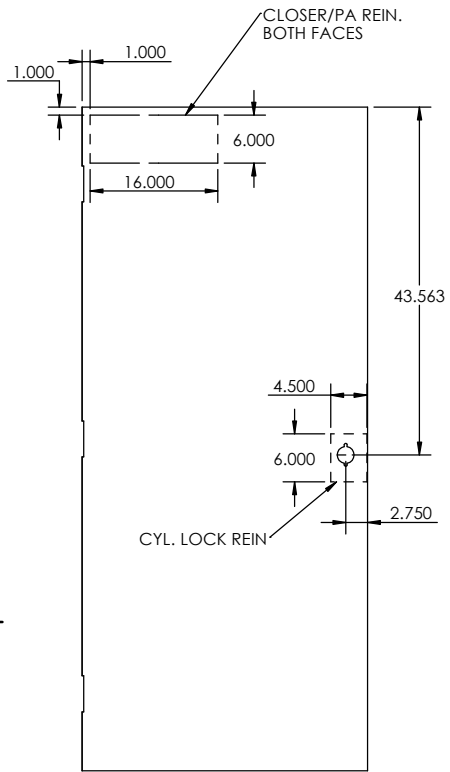
STANDARD WEIGHT OR HEAVY WEIGHT HINGES.



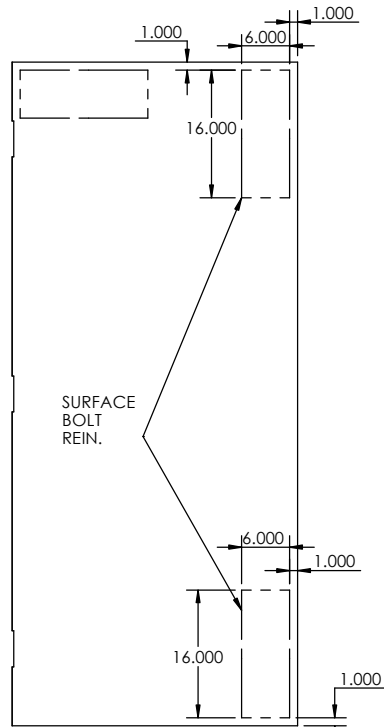
201 RAILROAD AVE
WESTMINSTER MD 21158

UNLESS OTHERWISE SPECIFIED: DIMENSIONS ARE IN INCHES TOLERANCES: SD-117 ± .03 FRACTIONAL: ± 1/32 ANGULAR: 1° TWO PLACE DEC: ± .03° THREE PLACE DEC: ± .03°		THE INFORMATION CONTAINED IN THIS DRAWING IS THE SOLE PROPERTY OF FISO SOLID CORP., LLC. ANY REPRODUCTION IN PART OR AS A WHOLE WITHOUT THE WRITTEN PERMISSION OF FISO SOLID CORP., LLC IS PROHIBITED		1. REMOVE ALL BURRS AND SHARP EDGES 2. DIMENSIONS IN () ARE REFERENCE ONLY		DO NOT SCALE DRAWING		Revision	
DRAWN: BJC		SIGNATURE:		DATE: 6-7-23		FILENAME: FISO SPECIFICATIONS STANDARDS			
CHKD:						TITLE: FISO SPECIFICATIONS STANDARDS			
APPVD:									
MFG:									
G.A.:				MATERIAL:		DWG NO.:		A3	
				WEIGHT:		SCALE:		SHEET 1 OF 4	

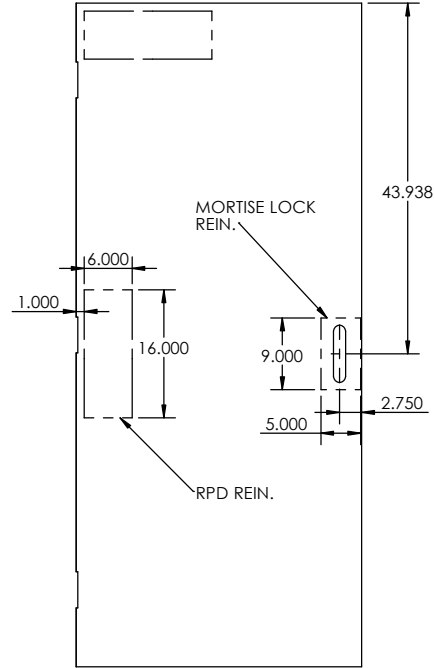
REINFORCEMENT OPTIONS AND SPECIFICATIONS



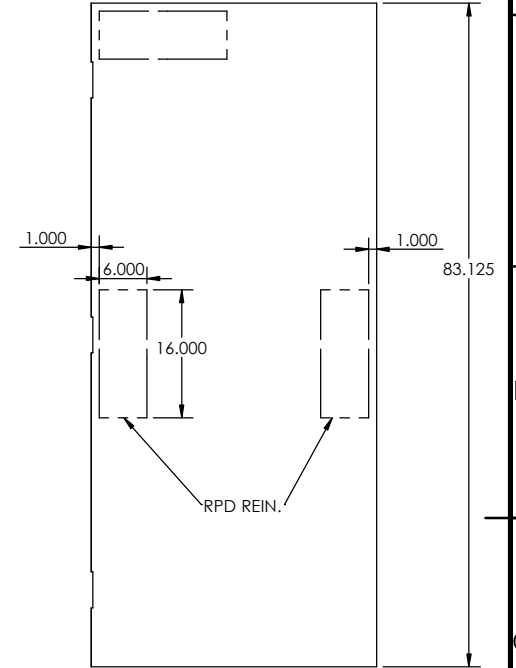
161L LOCK PREP
STANDARD W/EDGE PREP
ENTER: 161L



BLANK INACTIVE WITH 00A EDGE PREP
FOR Z-ASTRAGAL (SEE SHEET 3)
ENTER: BL 00A SB



86 LOCK PREP
STANDARD W/EDGE PREP
ENTER: 86 RPR



RPD
ENTER: BL RPR

REINFORCEMENT CONFIGURATION & LOCK PREP TYPE TO BE SPECIFIED ON ORDER

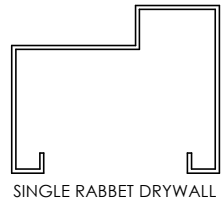
OTHER OPTIONS AVAILABLE



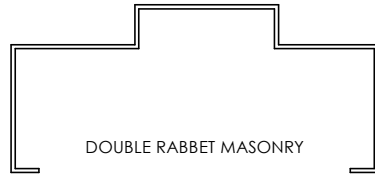
201 RAILROAD AVE
WESTMINSTER MD 21158

UNLESS OTHERWISE SPECIFIED: DIMENSIONS ARE IN INCHES TOLERANCES: SDH-117 ± .03 FRACTIONAL: ± 1/32 ANGULAR: 1° TWO PLACE DEC: ± .03° THREE PLACE DEC: ± .03°		THE INFORMATION CONTAINED IN THIS DRAWING IS THE SOLE PROPERTY OF FISO DOOR CORP., LLC. ANY REPRODUCTION IN PART OR AS A WHOLE WITHOUT THE WRITTEN PERMISSION OF FISO DOOR CORP., LLC IS PROHIBITED.		1. REMOVE ALL BURRS AND SHARP EDGES 2. DIMENSIONS IN () ARE REFERENCE ONLY		DO NOT SCALE DRAWING		Revision	
DRAWN: BJC		SIGNATURE:		DATE: 6-7-23		FILENAME: FISO SPEC. 3070 534DW SC			
CHKD:						TITLE: FISO SPECIFICATIONS STANDARDS			
APPVD:						DWG NO. A3			
MFG:						SCALE: 1:1			
G.A.:				MATERIAL:		SHEET 2 OF 4			
				WEIGHT:					

TYPICAL FRAME PROFILES



SINGLE RABBET DRYWALL



DOUBLE RABBET MASONRY



DOUBLE RABBET KERFED METAL BUILDING

STANDARD:

- 7GA REVERSABLE HINGE REINFORCEMENTS
- ASA REINFORCEMENT
- CYLINDRICAL LOCK REINFORCEMENT
- MORTISE LOCK REINFORCEMENT
- CLOSER REINFORCEMENT
- TOP CAP - DOOR

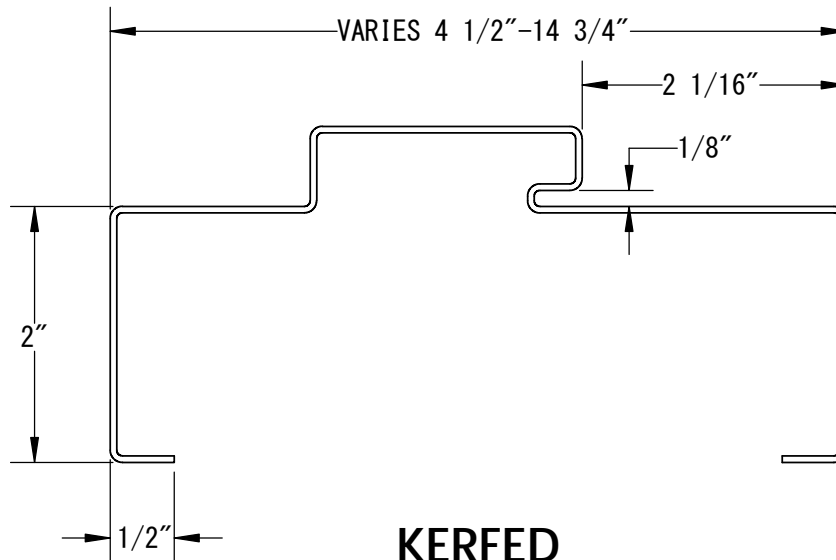
- ASTRAGALS
- TRANSOM FRAMES
- BARROWED LIGHTS
- SIDE LIGHTS
- CUSTOM FABRICATION
- HANGING/SLIDE DOOR
- MODULAR PRODUCT AVAILABLE



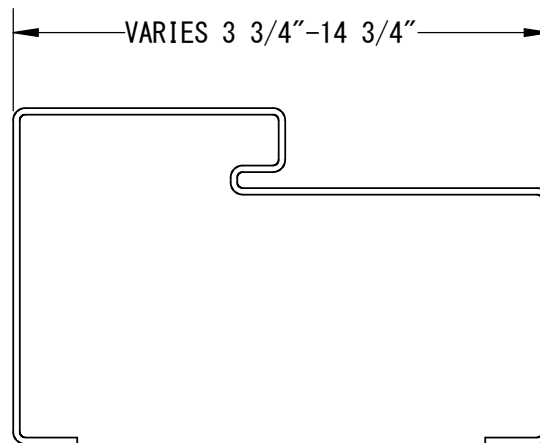
201 RAILROAD AVE
WESTMINSTER MD 21158

UNLESS OTHERWISE SPECIFIED: DIMENSIONS ARE IN INCHES TOLERANCES: SDH-117 ± .03 FRACTIONAL: ± 1/32 ANGULAR: 1° TWO PLACE DEC: ±.03° THREE PLACE DEC: ±.03°		THE INFORMATION CONTAINED IN THIS DRAWINGS IS THE SOLE PROPERTY OF FISO SOLID CORP, LLC. ANY REPRODUCTION IN PART OR AS A WHOLE WITHOUT THE WRITTEN PERMISSION OF FISO SOLID CORP, LLC IS PROHIBITED		1. REMOVE ALL BURRS AND SHARP EDGES DIMENSIONS IN () ARE REFERENCE ONLY		DO NOT SCALE DRAWING		Revision	
DRAWN		NAME		SIGNATURE		DATE		FILENAME:	
CHKD		BJC				6-7-23		FISO SPECIFICATIONS STANDARDS	
APPVD								TITLE:	
MFG								FISO SPECIFICATIONS STANDARDS	
G.A.								DWG NO.	
								A3	
								SCALE:	
								SHEET 3 OF 4	

**M SERIES FRAME
PROFILE - KERFED FOR WEATHERSTRIPPING**



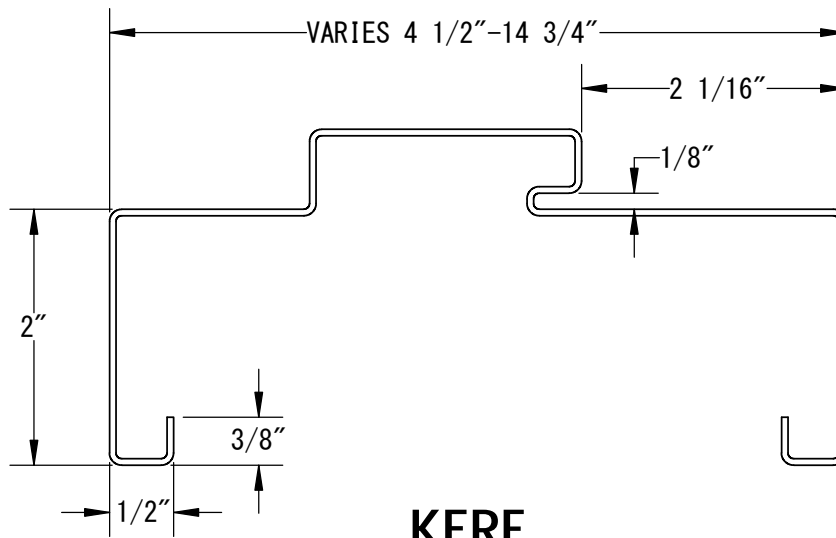
**KERFED
(K)**



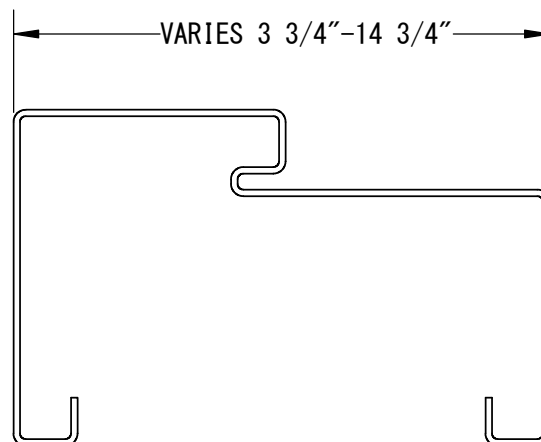
AVAILABLE IN 14 OR 16 GAUGE

**PHYSICAL ENDURANCE LEVEL: MEETS ANSI A250.4
PERFORMANCE TEST--16 GAUGE STEEL: LEVEL A (1,000,000 CYCLES)
FIRE RATED UP TO 90 MINUTES.**

DW SERIES
PROFILE - KERFED FOR WEATHERSTRIPPING



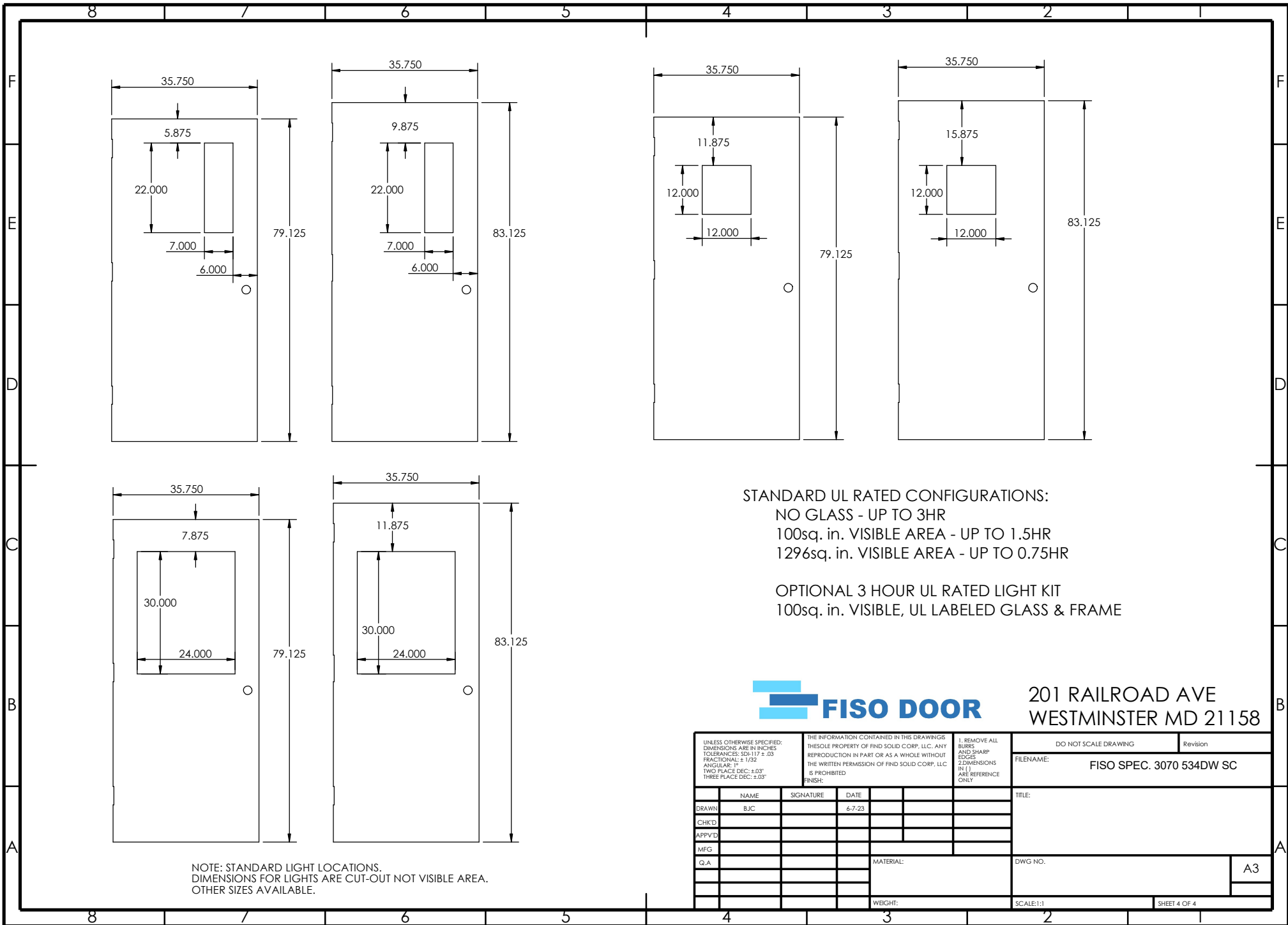
**KERF
(K)**



SINGLE RABBET

AVAILABLE IN 14 OR 16 GAUGE

PHYSICAL ENDURANCE LEVEL: MEETS ANSI A250.4
PERFORMANCE TEST--16 GAUGE STEEL: LEVEL A (1,000,000 CYCLES)
FIRE RATED UP TO 90 MINUTES.



STANDARD UL RATED CONFIGURATIONS:

- NO GLASS - UP TO 3HR
- 100sq. in. VISIBLE AREA - UP TO 1.5HR
- 1296sq. in. VISIBLE AREA - UP TO 0.75HR

OPTIONAL 3 HOUR UL RATED LIGHT KIT
 100sq. in. VISIBLE, UL LABELED GLASS & FRAME

NOTE: STANDARD LIGHT LOCATIONS.
 DIMENSIONS FOR LIGHTS ARE CUT-OUT NOT VISIBLE AREA.
 OTHER SIZES AVAILABLE.



201 RAILROAD AVE
 WESTMINSTER MD 21158

UNLESS OTHERWISE SPECIFIED: DIMENSIONS ARE IN INCHES TOLERANCES: SDH-117 ± .03 FRACTIONAL: ± 1/32 ANGULAR: 1° TWO PLACE DEC: ±.03° THREE PLACE DEC: ±.03°		THE INFORMATION CONTAINED IN THIS DRAWING IS THE SOLE PROPERTY OF FIND SOLID CORP., LLC. ANY REPRODUCTION IN PART OR AS A WHOLE WITHOUT THE WRITTEN PERMISSION OF FIND SOLID CORP., LLC IS PROHIBITED		1. REMOVE ALL BURRS AND SHARP EDGES 2. DIMENSIONS IN () ARE REFERENCE ONLY		DO NOT SCALE DRAWING		Revision	
						FILENAME: FISO SPEC. 3070 534DW SC			
						TITLE:			
DRAWN: BJC		SIGNATURE:		DATE: 6-7-23					
CHKD:									
APPVD:									
MFG:									
G.A.:				MATERIAL:		DWG NO.:		A3	
				WEIGHT:		SCALE: 1:1		SHEET 4 OF 4	